

BETRIEBSANLEITUNG
OPERATING INSTRUCTIONS
INSTRUCCIONES DE SERVICE
ISTRUZIONI D'USO
HANDLEIDING
INSTRUCCIONES PARA EL MANEJO
MANUAL DE INSTRUÇÕES
NAUDOJIMOSI INSTRUKCIJA
KASUTUSJUHEND
LIETOŠANAS INSTRUKCIJA
DRIFTSINSTRUKS
DRIFTSINSTRUKTIONER
DRIFTSVEJLEDNING
INSTRUKCJA OBSŁUGI

KEZELÉSI ÚTMUTATÓ
NÁVOD K OBSLUZE
NAVODILO ZA UPORABO
NÁVOD NA OBSLUHU
UPUTE ZA RAD
MANUAL DE OPERATII
TREORACHA OIBRIÚCHÁIN
ΟΔΗΓΙΕΣ ΧΡΗΣΗΣ
EL KITABI
ИНСТРУКЦИИ ЗА ЕКСПЛОАТАЦИЯ
ИНСТРУКЦИЯ ПО ЕКСПЛОАТАЦИИ
取扱説明書
사용설명서
使用说明书

SV 300

MAKE IT BECKER.



 **BECKER**

1

	<table border="1"> <tr><td>REV</td><td>0000000</td></tr> <tr><td>ACCURACY</td><td>ACCURACY</td></tr> <tr><td>COMPRESSOR / FILTER</td><td>COMPRESSOR / FILTER</td></tr> <tr><td>TYPE</td><td>TYPE</td></tr> <tr><td>REQUENCY</td><td>REQUENCY</td></tr> <tr><td>SPEED</td><td>SPEED</td></tr> <tr><td>POWER / WEIGHT</td><td>POWER / WEIGHT</td></tr> <tr><td>MINI / WEIGHT</td><td>MINI / WEIGHT</td></tr> <tr><td>MAXI / WEIGHT</td><td>MAXI / WEIGHT</td></tr> <tr><td>MINI / WEIGHT</td><td>MINI / WEIGHT</td></tr> <tr><td>MAXI / WEIGHT</td><td>MAXI / WEIGHT</td></tr> </table>	REV	0000000	ACCURACY	ACCURACY	COMPRESSOR / FILTER	COMPRESSOR / FILTER	TYPE	TYPE	REQUENCY	REQUENCY	SPEED	SPEED	POWER / WEIGHT	POWER / WEIGHT	MINI / WEIGHT	MINI / WEIGHT	MAXI / WEIGHT	MAXI / WEIGHT	MINI / WEIGHT	MINI / WEIGHT	MAXI / WEIGHT	MAXI / WEIGHT	m ³ /h mbar
REV	0000000																							
ACCURACY	ACCURACY																							
COMPRESSOR / FILTER	COMPRESSOR / FILTER																							
TYPE	TYPE																							
REQUENCY	REQUENCY																							
SPEED	SPEED																							
POWER / WEIGHT	POWER / WEIGHT																							
MINI / WEIGHT	MINI / WEIGHT																							
MAXI / WEIGHT	MAXI / WEIGHT																							
MINI / WEIGHT	MINI / WEIGHT																							
MAXI / WEIGHT	MAXI / WEIGHT																							
DIN EN ISO 11203 Accuracy Class 2 K _{pA} = 3 dB(A) l←1m	SV 300/1 (Pressure) ▶ 50/60 Hz, +255/+235 mbar L _{pA} = 72.8/73.4 dB(A)																							
	SV 300/1 (Vacuum) ▶ 50/60 Hz, -205/-195 mbar L _{pA} = 71.4/72.7 dB(A)																							
	SV 300/2 (Pressure) ▶ 50/60 Hz, +330/+330 mbar L _{pA} = 71.7/74.5 dB(A)																							
	SV 300/2 (Vacuum) ▶ 50/60 Hz, -275/-275 mbar L _{pA} = 69.9/69.7 dB(A)																							

2

static inst. ①-④		dynamic installation Gebr. BECKER
The pump must be securely mounted at the place of installation. Physical tension on the blower housing must be avoided.		
		37-52 kg 82-115 lbs

3


	40°C/104°F -10°C/14°F		optional en option optionale opcional filter
INLET AIR	40°C/104°F 0°C/32°F	A > 100mm A > 4"	B > 295mm B > 11½"
	max. 800m		
	max. 90%		


4


5

	VACUUM		PRESSURE
			AIR >100°C >212°F
	optional en option optionale opcional		

6

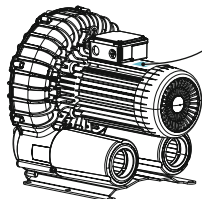







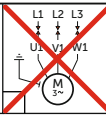
Frequency > 60Hz
Please consult **BECKER**

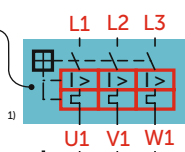
BECKER Max No. 3000000 EN300000 CE <small>100% 100% 100%</small>	BECKER Max No. 3000000 EN300000 CE <small>100% 100% 100%</small>
50 Hz xxx0V xxx0V 230-240V 1200VA 230-240V 1200VA xxx0V 1200VA xxx0V 1200VA	60 Hz xxx0V xxx0V 230-240V 1200VA 230-240V 1200VA xxx0V 1200VA xxx0V 1200VA
100% 100% 100% 100% 100% 100%	100% 100% 100% 100% 100% 100%


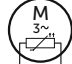


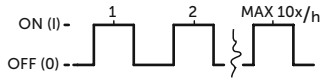
7



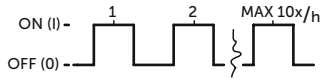




standard	optional
 Bi-metal	 PTC

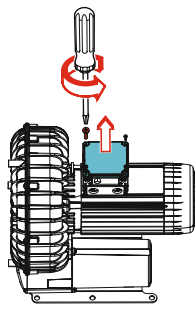


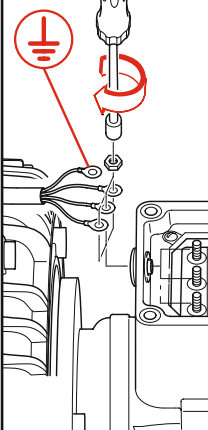
¹⁾ motor protection switch




ON (I) - 1 2 MAX 10x/h
 OFF (0) -


8

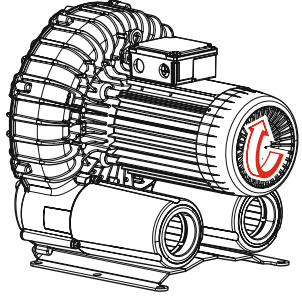


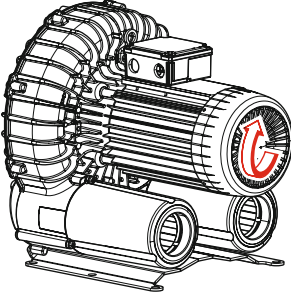


9







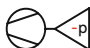


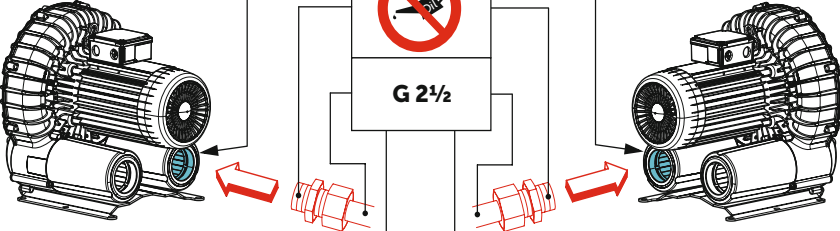


10


PRESSURE





G 2 1/2


VACUUM


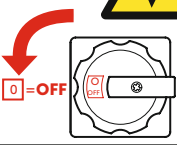





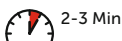


11

Maintenance






12

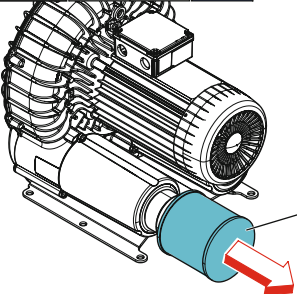
13

CLEANING INTERVAL



PRESSURE

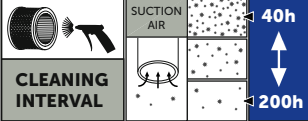
optional
en option
opcionale
opcional



F1

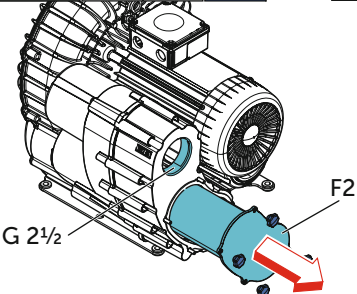
14

CLEANING INTERVAL



VACUUM PRESSURE

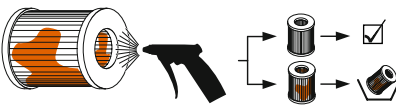
optional
en option
opcionale
opcional



G 2½

F2

15




F1: PRESSURE

No.: 90957300000




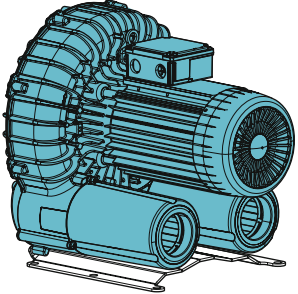
F2: VACUUM + PRESSURE

No.: 90951030000

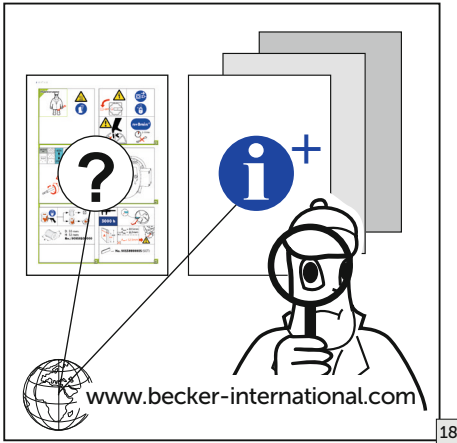


EN149 - FFP3
42 CFR 84 - N100

16

17



Gebr. Becker GmbH
Hoelker Feld 29-31
42279 WUPPERTAL
GERMANY
info@becker-international.com
www.becker-international.com



The logo consists of a circular icon with three stylized human figures inside, followed by the word **BECKER** in a bold, blue, sans-serif font.



MAKE IT BECKER.

28100016601 | 2020-11-11 | All rights reserved